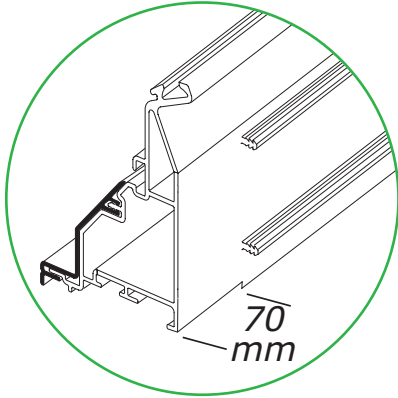


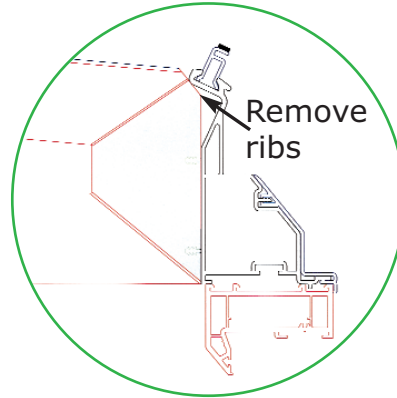


GABLE FRAMES

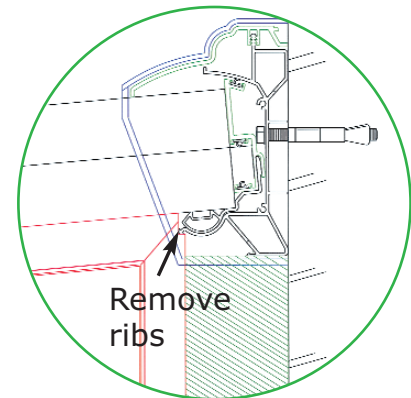
Preparation



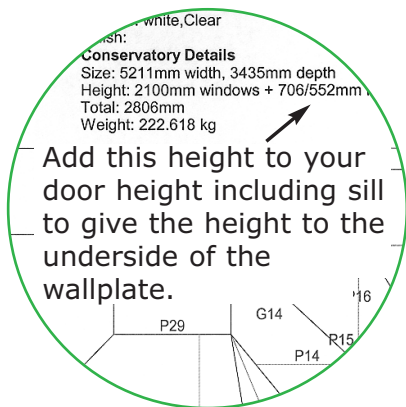
Ensure the eaves beam barbs and the bottom lip of the eaves beam are cut back by 70mm (the width of the outer frame).



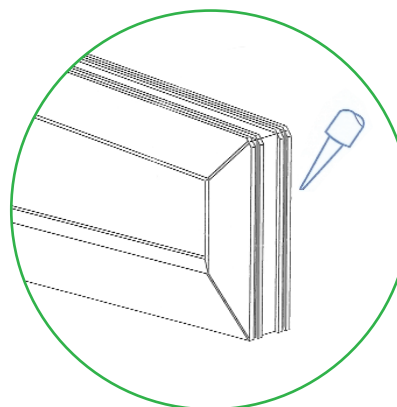
Where the raised frame meets the eaves beam you will need to cut the ribs away from the corner to allow the eaves beam to sit against the back of the frame.



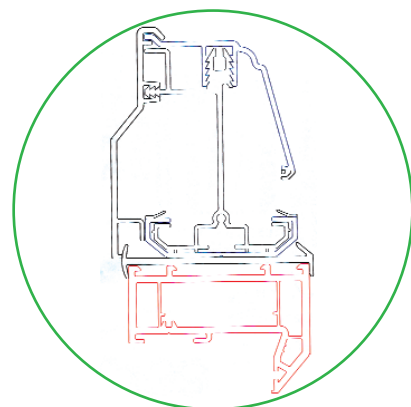
Remove the ribs from the angled frame to allow the wallplate to sit against the back of the frame.



Sit the wallplate on the corner post against the house wall at the height given on your roof plan.



Run a line of silicone down the front edge of the outer frame where the eaves beam will butt against it.



Fit the coupling profile PC01 to the head of the outer frame.