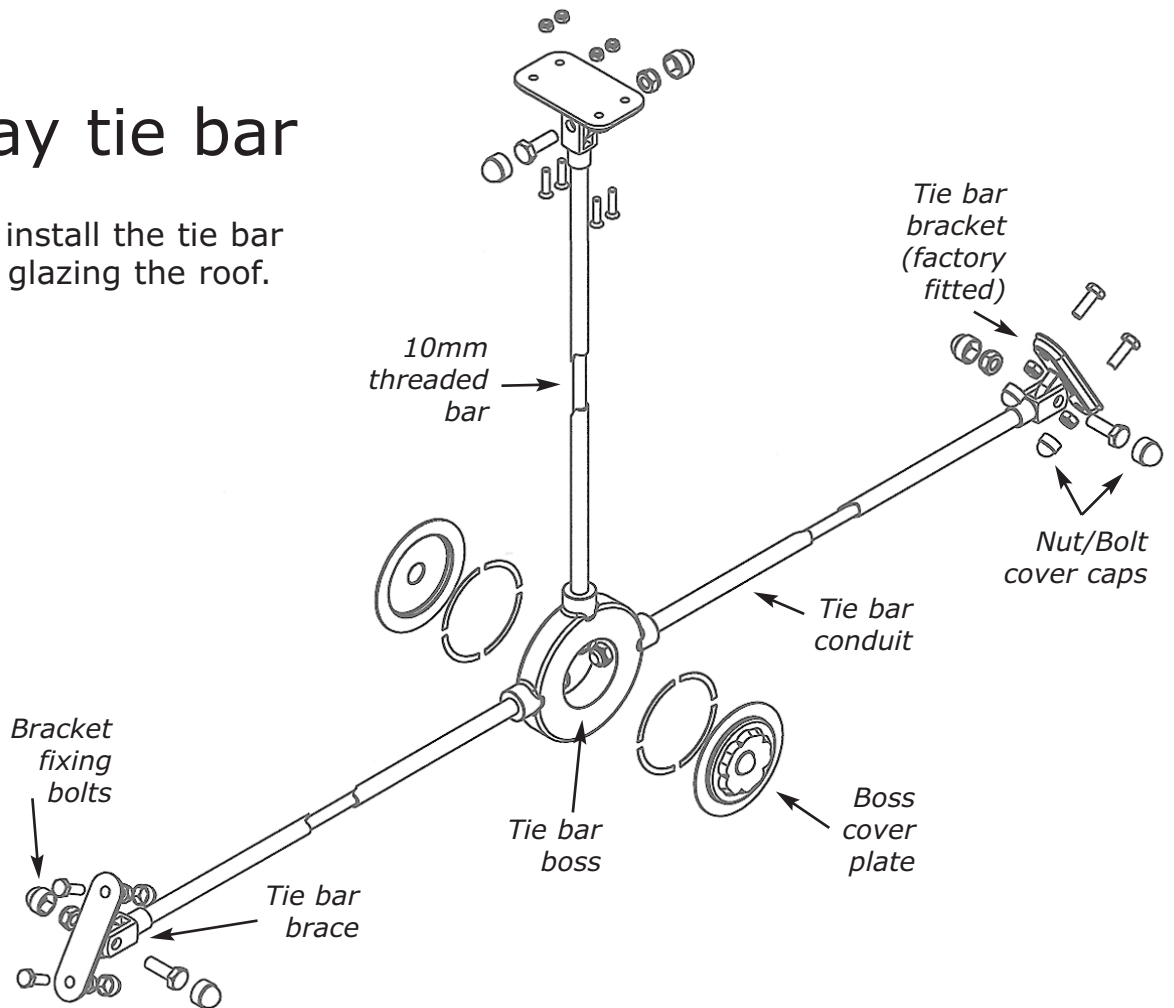




TIE BAR

3 way tie bar

Always install the tie bar before glazing the roof.

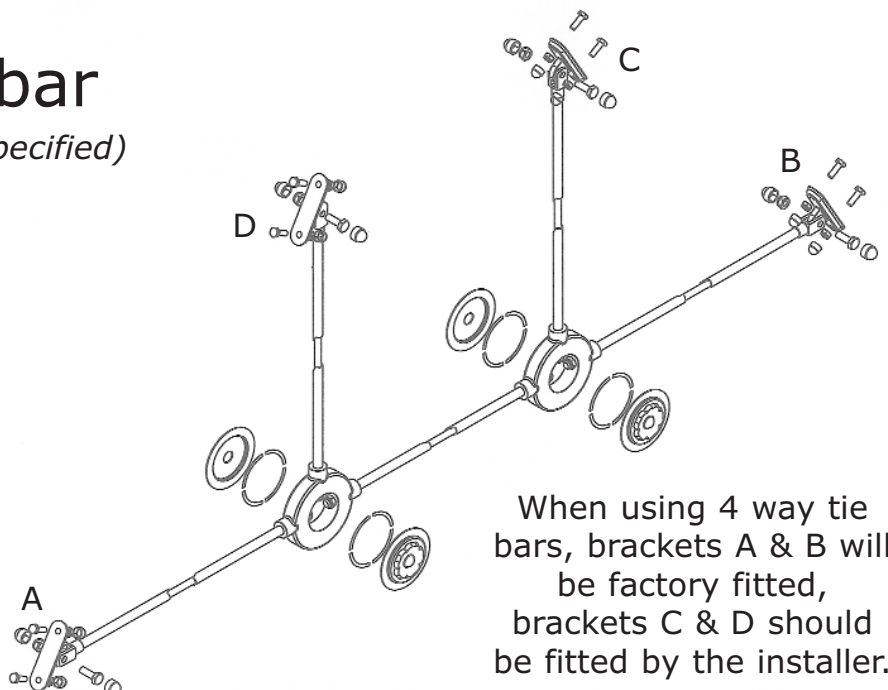


Your tie bar has been supplied in kit form and will need cutting to length. The tie bar brackets should already be fitted to the necessary glazing bar.

4 way tie bar

(used when a fan is specified)

Note: If tie bars are specified by your fabricator they must be installed. They are a structural requirement of your roof - not fitting them will render your guarantee void and put you and your customer at risk.



When using 4 way tie bars, brackets A & B will be factory fitted, brackets C & D should be fitted by the installer.